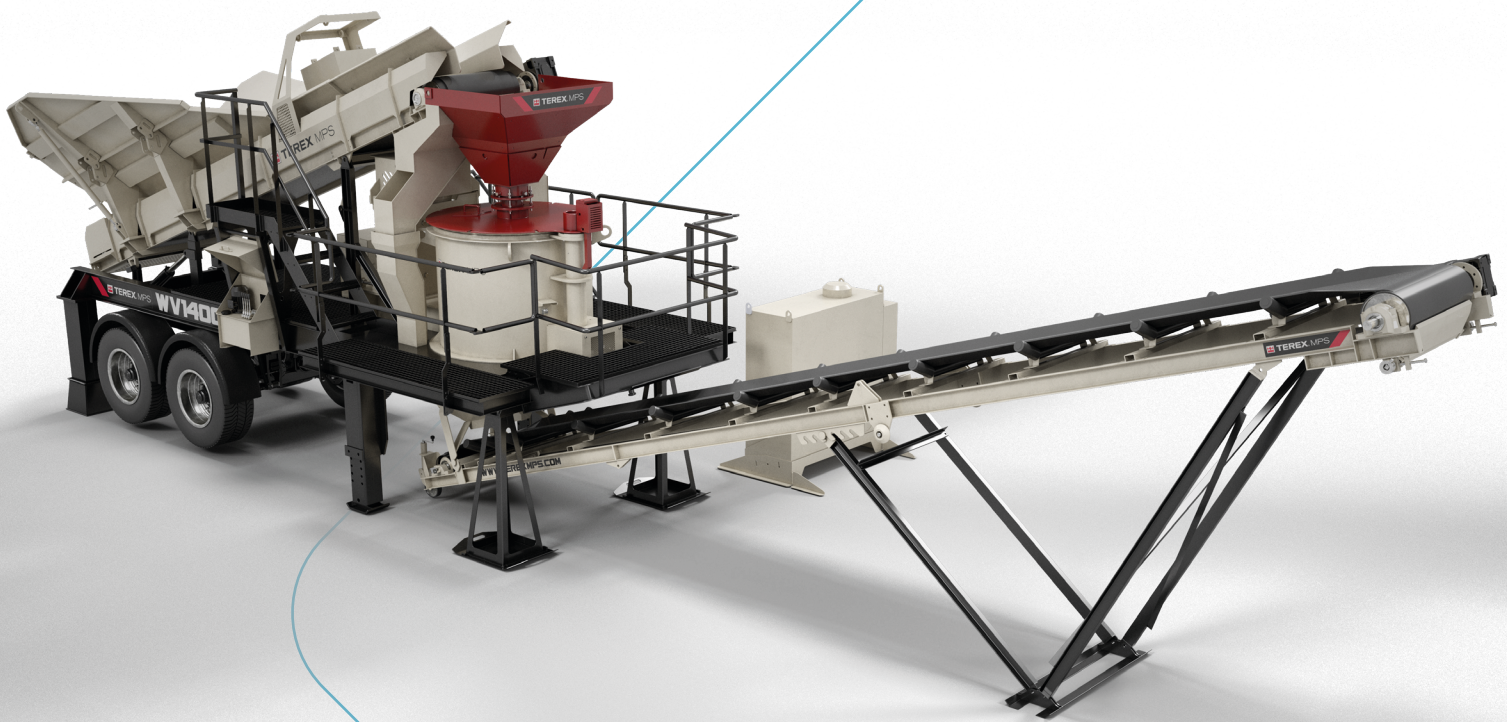




Portable Plants WV1400E Wheeled VSI Plant



A world working better™

Portable Plants

WV1400E

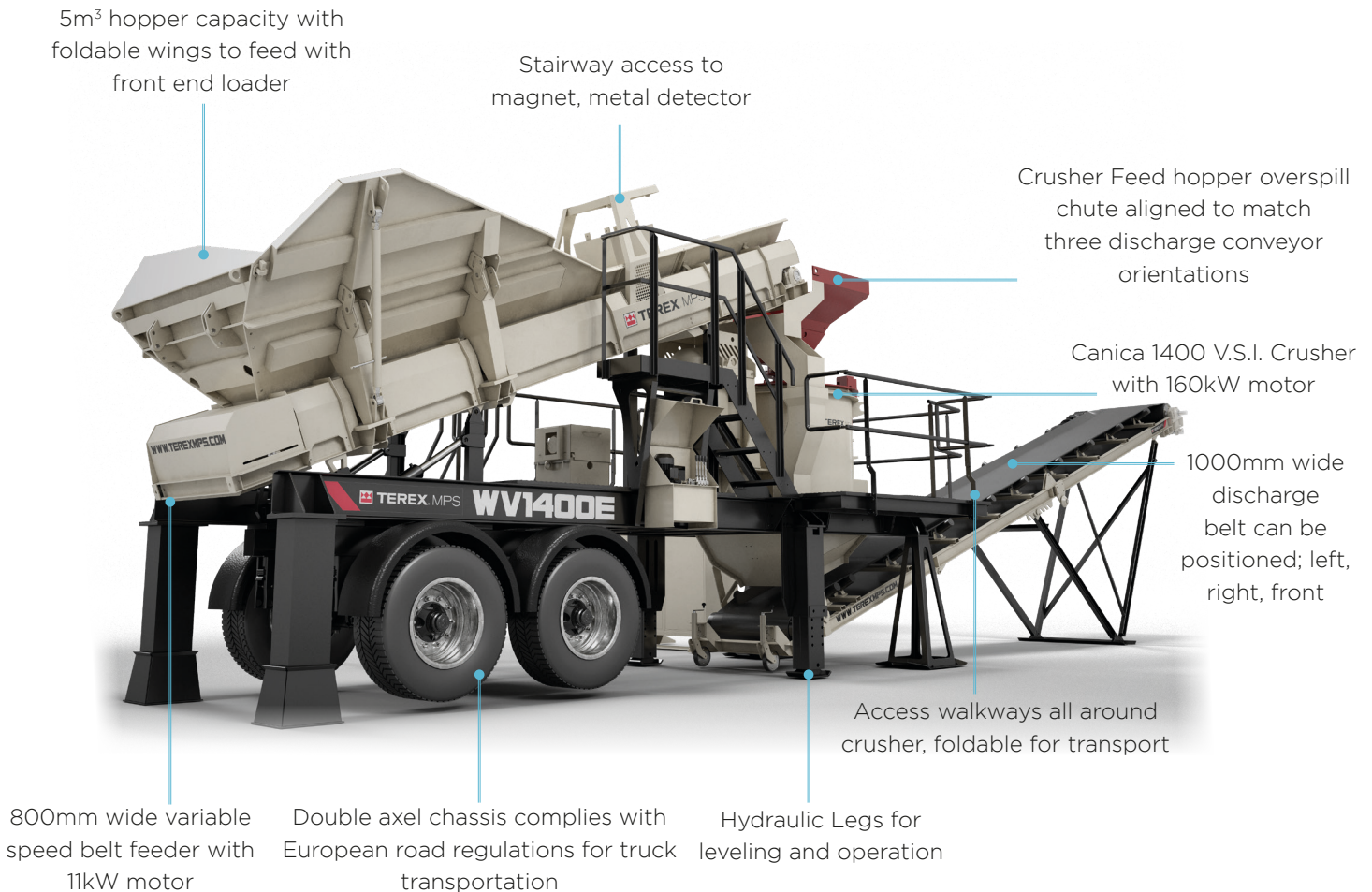
Wheeled VSI Plant

The Terex WV1400E is a Portable Vertical Shaft Impact Crusher designed primarily for the European market. This high-performance VSI plant is suitable for producing high-quality shaped aggregates for concrete and asphalt, as well as manufactured sand and agricultural lime. This plant incorporates the Canica 1400 Vertical Shaft Impact crusher, which can be configured with a rockbox for shaping or steel anvils for reduction applications. The crusher can also be configured with open table, high speed rotor or heavy clad rotor depending upon the requirements of the crushing application

Applications	
Sand & Gravel	C & D Processing
Blasted Rock	Overburden
River Rock	Mineral Ores

Features & Benefits

- Versatile Crushing Power: Ideal for shaped aggregates, manufactured sand, and agricultural lime
- Easy plant set up with hydraulic telescopic legs
- Complies with European road regulations for truck transportation
- Multiple discharge positions can fit with existing mobile crushing setups
- Electric Drive
- 1000mm wide discharge conveyor
- 5m³ hopper and 800mm wide variable speed belt feeder
- Ultrasonic sensor fitted at the crusher hopper ensures smooth continuous feed rate (option)
- Vertical Shaft Impactor can be configured with open table, rotor, rockbox and steel anvils
- Auxiliary electrical control cabinet with vibration detector, hour meter,
- Patented hydraulic lid lifter
- Metal detector on feed conveyor
- Inspection platforms foldable for transport
- Plant electrical switchgear panel



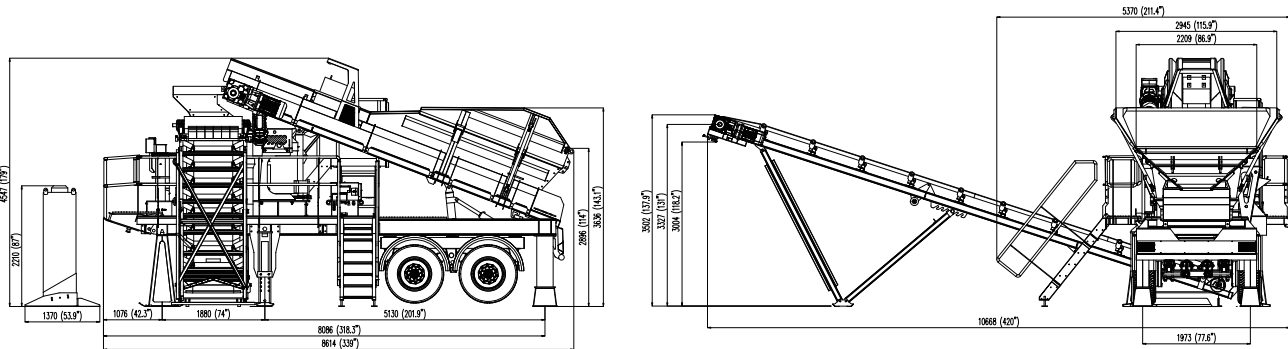
Options

- Permanent magnet on the feed conveyor
- Belt scale on the feed conveyor
- Ultrasonic sensor kit for feeder automation
- Variable Frequency Drive to control VSI rotor speed

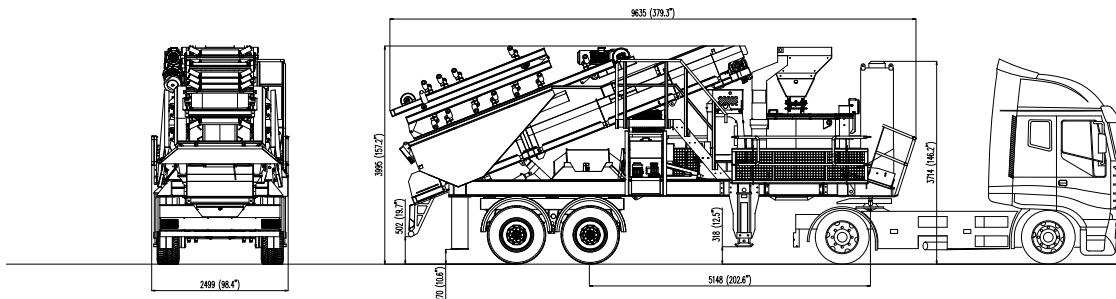
Power:

VSI Crusher	160kW
Feed Conveyor	11kW
Discharge Conveyor	7.5kW

Operating Mode



Transport Mode



Weight:

- Transport Weight: 18,275 Kg
- Working Weight (conveyor removed): 16,183 kg

North America

3900 Fountains Blvd NE, Suite 101
Cedar Rapids, IA 52411
Tel: +1 319 363 3511 or
+1 800 821 5600

212 South Oak Street
Durand, MI 48429
Tel: +1 989 288 3121 or
+1 888 571 8352

Europe, Russia & Africa

Farlough Road, Dungannon
Northern Ireland. BT71 4DT
Tel: +44 (0) 28 8744 0795

Central Asia, Turkey & North Africa Region

Mehmet Akif Ersoy Mah.287.Sk
No 1/D
06172 Yenimahalle - Ankara Turkey
Tel: +90 312 354 90 90

Australia

Melbourne & Victoria
133 Logis Boulevard
Dandenong South, VIC 3175
Tel: +61 3 8794 4100

Sydney & New South Wales
114 Hassall Street
Wetherill Park, NSW 2164
Tel: +61 2 9604 6524

Brisbane & Queensland
585 Curtin Avenue East
Eagle Farm, QLD 4009
Tel: +61 7 3630 0866

Perth & Western Australia
4 Miles Road
Kewdale, WA 6105
Tel: +61 8 6254 4100

UAE

Middle East, East Africa, and SE
Asia
Office # 305, Pinnacle Building
Sheikh Zayed Road, Al Barsha 1,
Dubai, UAE
Tel: +971 4 399 0381

India

South: Hosur Plant
Terex India Private Limited
Plot No : E-18, Expansion-II, Phase-II
SIPCOT, Krishnagiri Road
Hosur - 635 109, Tamil Nadu
Tel: +91 4344 352 200

West

Terex India Private Limited
Office No. 05-116, Zenia Building
Hiranandani Circle,
Hiranandani Business Park
Thane - 400607, Maharashtra
Tel: +91 4344 352 200

North

Terex India Private Limited
907-908, 9th Floor,
Palm Spring Plaza, Golf Course
Road, DLF Phase 5, Sector 54
Gurgaon 122 003, Haryana
Tel: +91 4344 352 164

Malaysia

Malaysia Sdn Bhd
Lot 53674, Persiaran Subang Indah
Sungei Penaga Industrial Estate
47610 Subang Jaya
Selangor, Malaysia
Tel: +60 356 226 199
Email: Sales.Sea@terex.com

Thailand

Terex (Thailand) Limited
999/162 Moo 15,
Bangsaothong Sub-District
Bangsaothong District
Samutprakarn 10570
Tel: +66 2130 6381
Tel: +66 2130 6382

MPSPMarketing@terex.com

www.terexmps.com

Product specifications and prices are subject to change without notice or obligation. The photographs and/or drawings in this document are for illustrative purposes only. Refer to the appropriate Operator's Manual for instructions on the proper use of this equipment.

Failure to follow the appropriate Operator's Manual when using our equipment or failure to act responsibly may result in serious injury or death.

The only warranty applicable to our equipment is the standard written warranty applicable to the particular product and sale, and Terex makes no other warranty, express or implied. Terex, the Terex Crown design, Cedarapids, Canica, Simplicity, Jaques, El-Jay and Rollercone are trademarks of Terex Corporation or its subsidiaries. All rights are reserved. © June 2024

